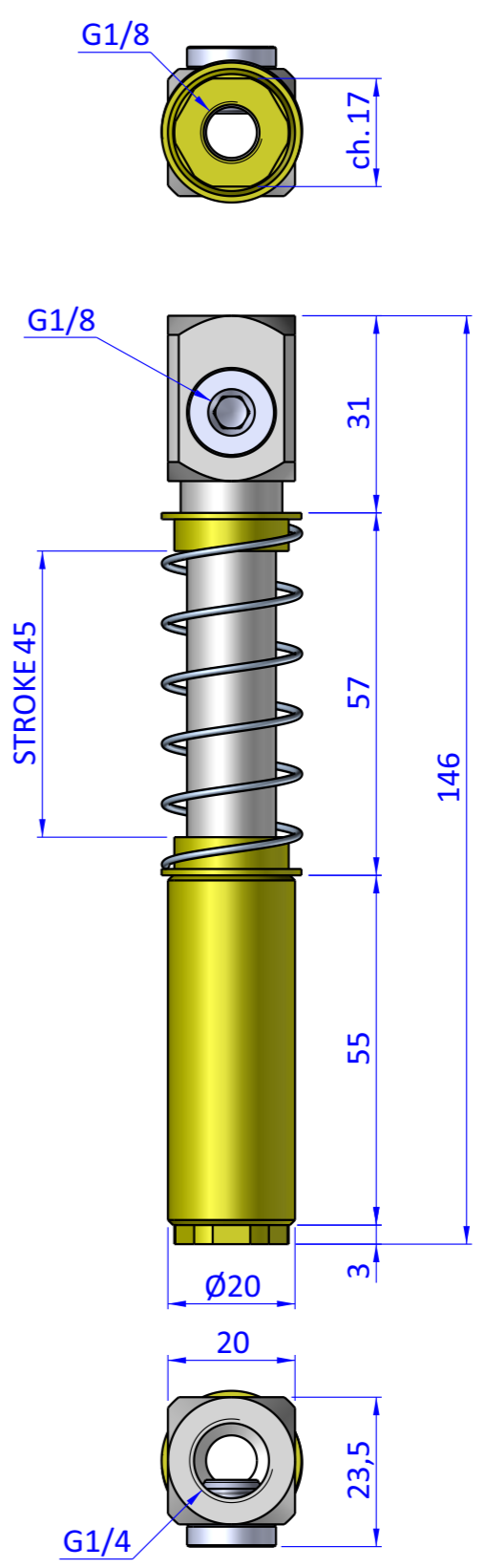
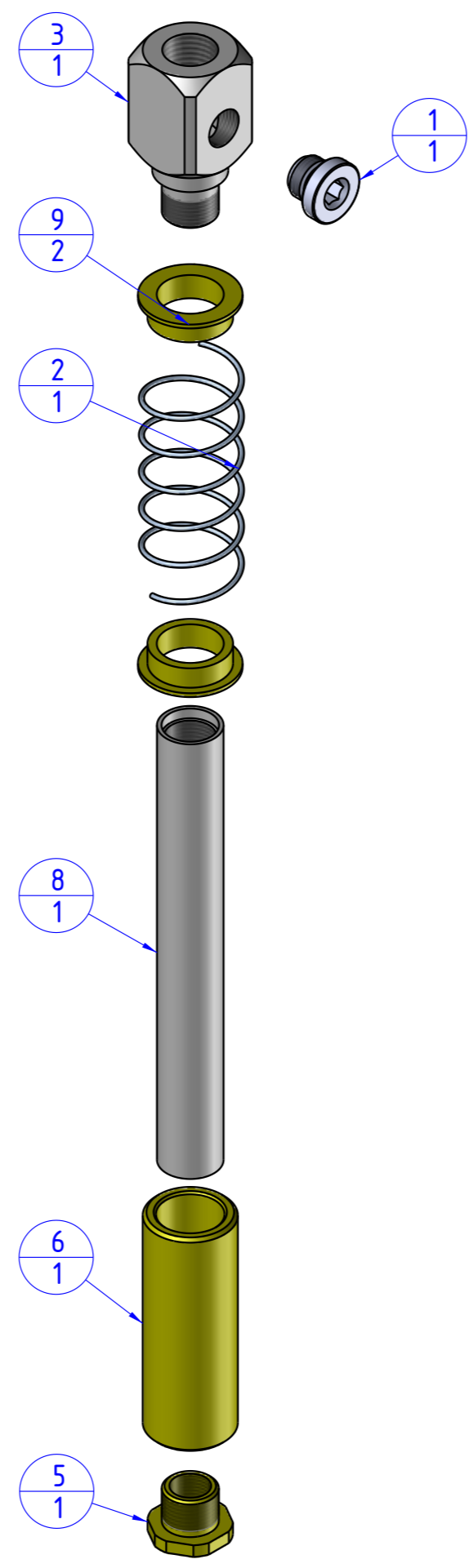



THE PROPERTY OF THE DRAWING IS ESTABLISHED BY LAW. IT IS FORBIDDEN TO PRODUCE OR SHOW IT TO THIRD PART. WITHOUT A WRITTEN AGREEMENT.

Item	Name	Q.ty
1	CA.08.14.014	1
2	M.21x69	1
3	SAE.20141825.1	1
5	SAE.20141825.5	1
6	SAR.20141825.3	1
8	SAR.20141850.1	1
9	SAR.20141825.4	2



Format A3  
UNI 936-76

 FPS SERVICES AUTOMATION		DESIGNED FROM		REVIEW
		FPS Automation		A
GENERAL TOLERANCE		DATE	WEIGHT	
UNI - ISO 2768		28/07/2022	0,152kg	
CLASSE f		CODE		
CA.SAR.20141850		CA.SAR.20141850		